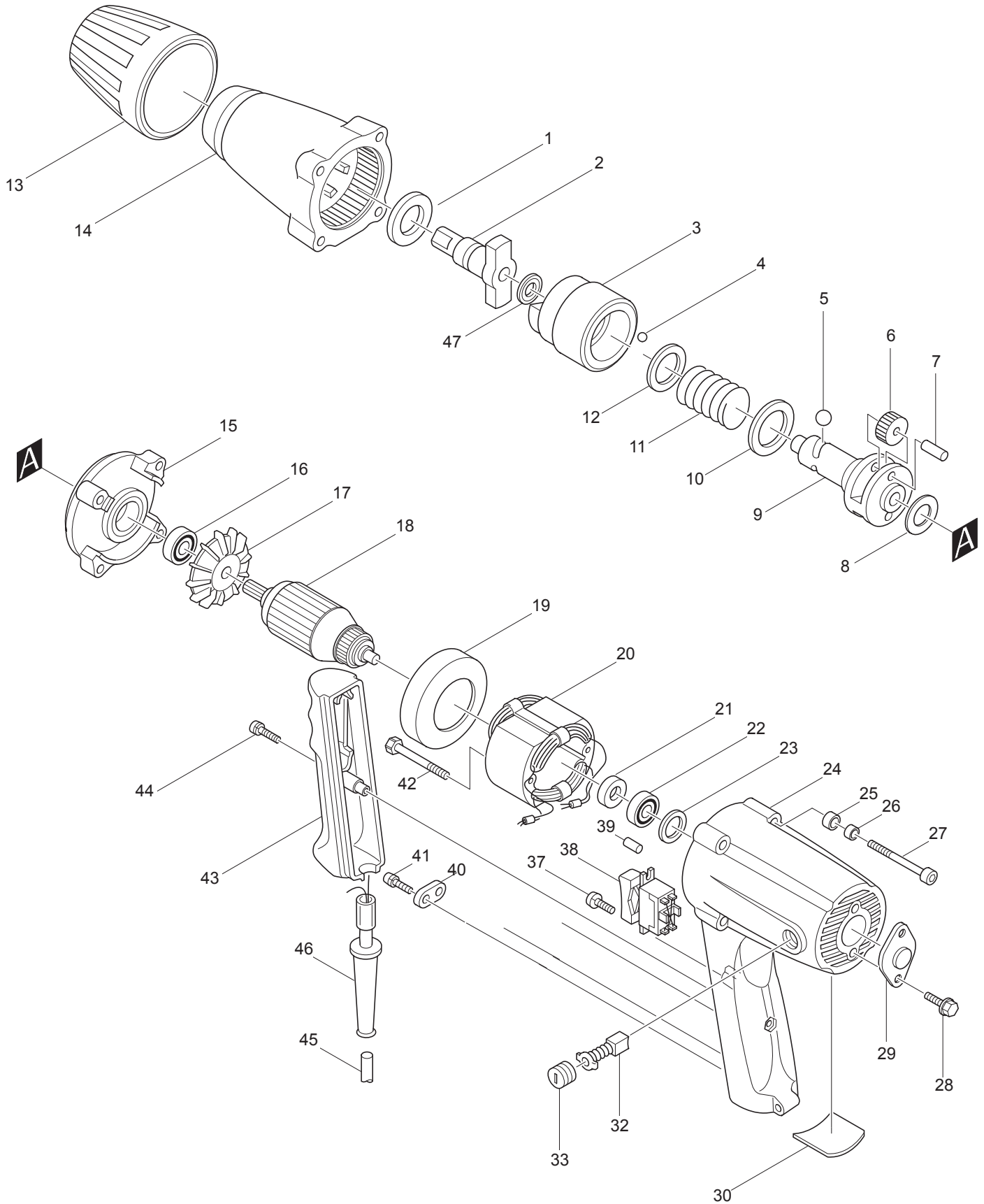




12 - 2009
6905B
1/2" IMPACT WRENCH



Item No	Type	Ref	Rel	Part No	Description	Qty	Unit
001				253937-2	FLAT WASHER 18	1	PC.
002				132383-1	ANVIL ASS'Y (OLD# 325546-8)	1	PC.
		INC.			Item No.902, 903		
003				322246-1	* HAMMER	1	PC.
004				216008-6	STEEL BALL 4	20	PC.
005				216007-8	STEEL BALL 6.4	2	PC.
006				221849-7	SPUR GEAR 33	2	PC.
007				256033-5	PIN 6	2	PC.
008				253794-8	FLAT WASHER 18	1	PC.
009				321118-7	SPINDLE	1	PC.
010				253751-6	FLAT WASHER 24	1	PC.
011				231261-3	COMPRESSION SPRING 24	1	PC.
012				253793-0	FLAT WASHER 22	1	PC.
013				421157-8	BUMPER	1	PC.
014				156544-9	HAMMER CASE	1	PC.
		INC.		213257-6	OIL SEAL 18	1	PC.
		INC.		221850-2	INTERNAL GEAR 73	1	PC.
		INC.		321119-5	SLEEVE 18	1	PC.
015				152145-1	BEARING HOUSING COMPLETE	1	PC.
016				211031-6	BALL BEARING 608LLB	1	PC.
017				241622-9	FAN 62	1	PC.
018				515131-7	ARMATURE ASS'Y 115V (OLD# 615131-8)	1	PC.
		INC.			Item No. 16,17,21,22		
019				411601-3	BAFFLE PLATE	1	PC.
020				625116-6	FIELD 115V	1	PC.
021				681614-0	INSULATION WASHER	1	PC.
022				210025-8	BALL BEARING 627LLB	1	PC.
023				262010-7	URETHANE RING 18	1	PC.
024				159161-4	MOTOR HOUSING	1	PC.
		INC.		643557-4	BRUSH HOLDER 5-8	2	PC.
		INC.			Item No. 39		
025				253929-1	CUP WASHER 5	4	PC.
026				262001-8	URETHANE RING 5	4	PC.
027				922903-7	HEX. SOCKET HEAD BOLT M5X50	4	PC.
028				921226-0	HEX. BOLT M5X18	2	PC.
029				285015-0	BEARING COVER 34	1	PC.
030				815442-3	NAME PLATE F/6905B	1	PC.
032	2			194972-0	CARBON BRUSH SET CB-76 2PC/SET (W/ORIGIN)	1	SET
033				643550-8	BRUSH HOLDER CAP 5-8	2	PC.
037				911106-8	PAN HEAD SCREW M4X8	1	PC.
038				651564-3	SWITCH SL220SD-4 (OLD# 651554-6)	1	PC.
039				263002-9	RUBBER PIN 4	1	PC.
040				687002-9	STRAIN RELIEF	1	PC.
041				911133-5	PAN HEAD SCREW M4X18 (OLD# 911131-9)	2	PC.
042				265349-7	+ HEX. BOLT M4X50	2	PC.
043				411600-5	HANDLE COVER	1	PC.
044				911168-6	PAN HEAD SCREW M4X40	1	PC.
045				664064-4	CORD W/PLUG 2P-18-2.5M, SJ	1	PC.
046				682502-4	CORD GUARD 8-85	1	PC.
047				261074-8	* NYLON WASHER 22 (Added)	1	PC.
100				654037-5	INSLTED TERMINAL FK1.25-M3 (F/SWITCH)	4	PC.
102				652008-6	P.H. SCREW M3.5 X 7 (F/SWITCH)	4	PC.
103				654509-0	CLOSED END TERMINAL 2-SD (F/CORD, FIELD)	2	PC.

Item No	Type	Ref	Rel	Part No	Description	Qty	Unit
104				654018-9	GARTER SPRING	2	PC.
105				654501-6	TERMINAL P-1.25	2	PC.
106				931102-0	HEX NUT M4 (F/MOTOR HOUSING)	1	PC.
200				256187-8	PIN	1	PC.
201				953106-2	RIVET 0-5 (F/NAME PLATE) (Old)	4	PC.
202				913206-0	SET SCREW M5 X 8 (F/MOTOR HOUSING)(Old)	2	PC.
902				322045-1	CLIP	1	PC.
903				268098-5	PIN 4 (FLAT HEAD)	1	PC.
907				819003-1	MAKITA LABEL	1	PC.
C01				820240-2	CARTON F/6905B	1	PC.

ACCESSORIES

- See catalogue or visit www.makita.ca for optional accessory -

A01				824698-7	PLASTIC CARRYING CASE	1	PC.
	INC.			182935-8	SLIDE LATCH (R.L) SET	1	SET
A02				134877-2	UNIVERSAL JOINT 1/2" - LARGE (With Item No.200)	1	PC.
A03				134874-8	EXTENSION BAR 12.7 ASSY (With Item No.200)	1	PC.
A05				194485-1	FLAT PIN 4 SET	1	PC.
	INC.			268098-5	PIN 4 (FLAT HEAD)	1	PC.
	INC.			322045-1	CLIP	1	PC.
	INC.			345842-8	HOOK (Not available as an individual part)	1	PC.
A06				195871-9	DRILL BIT REMOVER SET	1	PC.
A07				-----	DEEP DRIVE SOCKETS		
A08				-----	WORK GLOVES		

SERVICE CHANGES

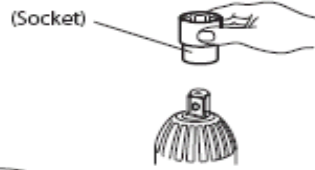
1. Changes on Pin 4

Item No.	Description	Type 1	Type 2
903	PIN 4	323675-1 (Round head), N/A	268098-5 (Flat head)

*For easy conversion, use Flat Pin 4 Set (194485-1) (Item No. A05).

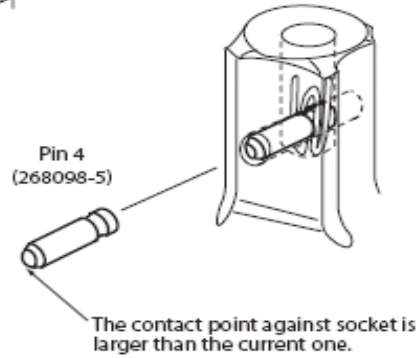
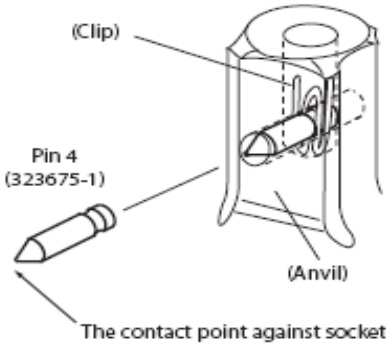
TYPE1:

Removing way of the socket:
Simply pull the socket off.



TYPE2:

Removing way of the socket:
Depress the detent pin through the hole in the socket and pull the socket off the anvil.



2. Changes on Hammer

Item No.	Description	Type 1	Type 2
3	HAMMER	321117-9 (N/L/A)	322246-1
47	NYLON WASHER 22	-----	261074-8

Above parts are completely interchangeable as a set.

Type 1

Type 2

